

PRODUCT NUMBER

65240-OXXLF

WHEN NEEDED, SUFFIX LETTER "LF" INDICATES THE PRODUCT IS RoHS COMPLIANT, SEE NOTE 5

NUMBER OF CAVITIES: 02 TO 36.

PLASTIC MATERIAL.

NOTES:

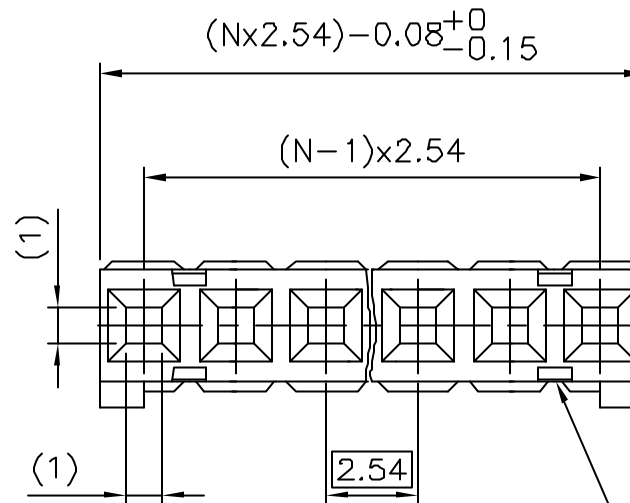
- 1 - HOUSING MAT'L: THERMOPLASTIC GLASS FILLED FLAME RETARDANT PER UL 94 V-0 COLOR: BLUE.
- 2 - OVER DASH -007 ONLY FIRST AND LAST THREE POSITIONS MUST HAVE GROOVES ON TOW SIDES.
- 3 - PRODUCT PACKED IN PLASTIC BAG.
- 4 - FOR TECHNICAL APPLICATION SEE TA317.
- 5 - RoHS COMPATIBLE PRODUCT SPECIFICATIONS

a - LABELING:

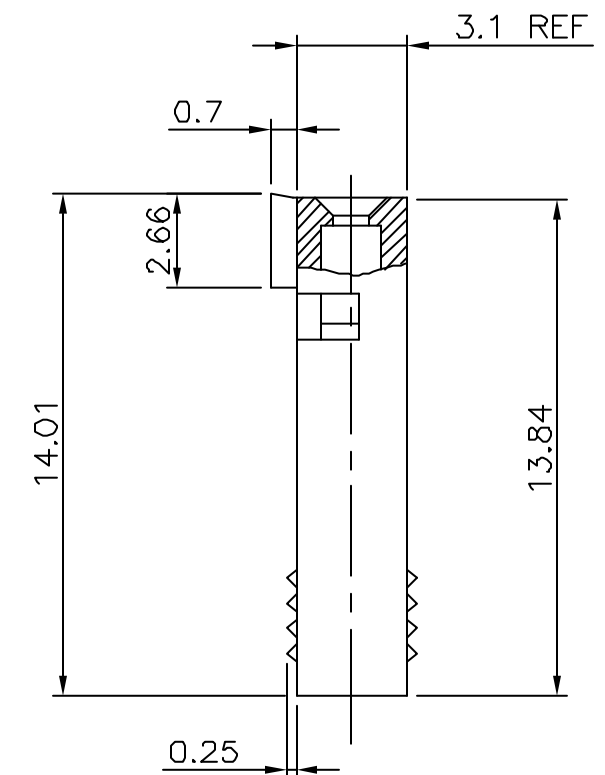
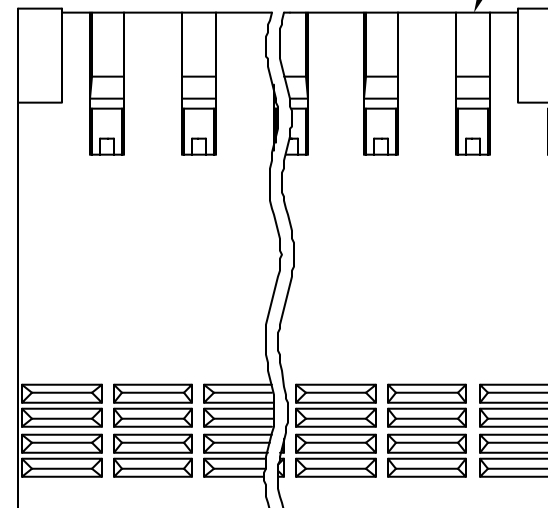
- MEETS PACKAGING SPECS AS PER GS-14-920

b - LEGAL STATEMENT: SEE GS-22-008

THE PRODUCT IS NOT INTENDED TO BE EXPOSED TO A MANUFACTURING SOLDER PROCESS.



SEE NOTE 2



Tous droits réservés. Reproduction ou communication de ces  
 sans autorisation écrite de FCI Electronics S.A.  
 Toute réimpression ou utilisation non autorisée sans la permission écrite de FCI Electronics S.A. est formellement interdite.  
 All rights reserved. Reproduction or communication of these  
 without written authorization of FCI Electronics S.A.  
 Any reprinting or unauthorized use without the written permission of FCI Electronics S.A. is expressly prohibited.



All rights strictly reserved. Reproduction or issue in third parties in  
 violation of the patent rights without written authority from the  
 property of FCI Electronics S.A.  
 Copyright © 2005 FCI Electronics S.A.

mat'l. code SEE NOTE				tolerances unless otherwise specified			CUSTOMER COPY	<b>ELECTRONICS</b> www.fciconnect.com	
ltr	ecn no	dr	date	Linear	±0.3			projection 	title CtW HOUSING SR
G	F10103	GCO	01.01.05						
H	F20548	DLE	02.10.08	angles	±2°			product family DUBOX	
J	F04-0145	DLE	04.02.25						
K	F04-0347	DLE	04.12.10	dr	G CORBOZ	01.01.05	mm 	code 213	
L	F05-0169	DLE	05.04.07	engr	P NIZZI	01.01.05			
M	F05-0236	DLE	05.08.24	chr	JF NOTTEAU	01.01.05	scale 5:1	sheet 1 of 1	
N	F05-0286	DLE	05.11.07	app	P NZ	01.01.05			
sheet index	revision sheet	N 1							